

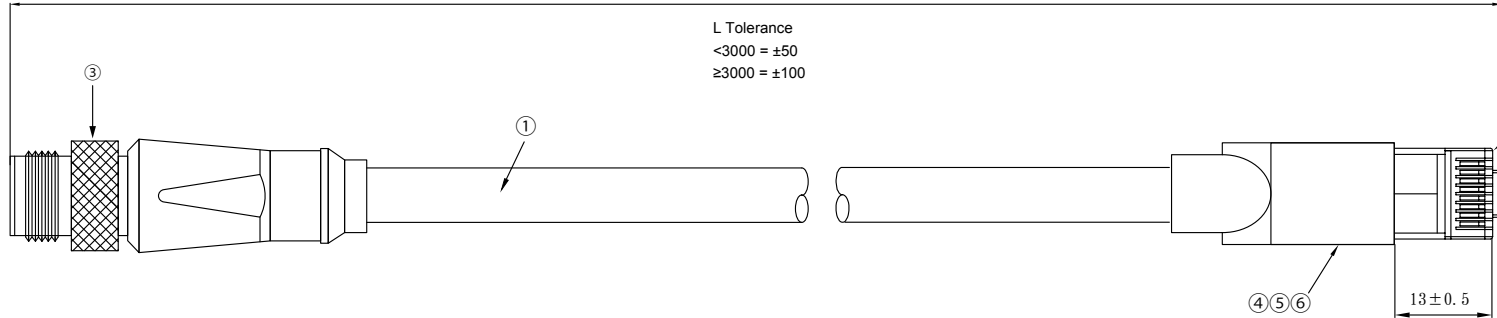
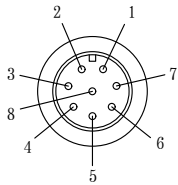
REVISION				
SYM	DESCRIPTION	DATE	WRIT	APPR
A	New Release	14DEC2020	Y.ZENG	C.GAO

# Connector Specification

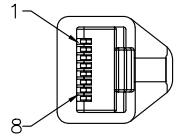
L: 3000/5000/10,000

L Tolerance  
 <3000 = ±50  
 ≥3000 = ±100

Mating Face View



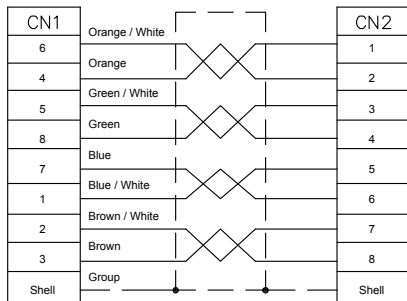
Mating Face View



CN1

CN2

Wiring Diagram



Notes:

- The specification on the drawing must be completely followed for final finished products.
- Test:  
 Conduction: no short-circuit, open circuit, false matching  
 Tithstand voltage: AC500V/2MA/1second  
 Insulation: DC: 500V/100MΩ/second  
 Instant Break: 3second
- No Contamination, Damage, Scratch, Deformation.

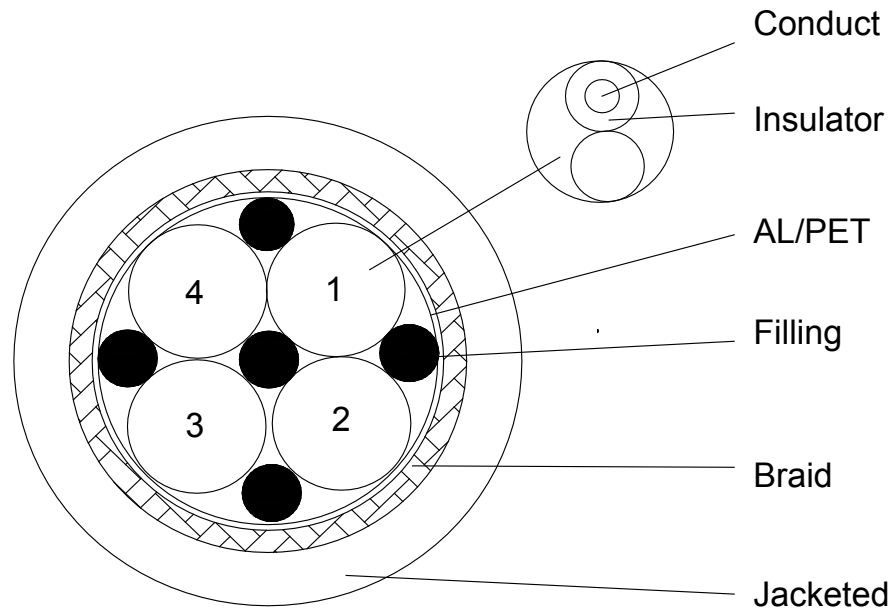
Item	Description	QTY	Specification
①	Wire	1	4PX26AWG RoHS LF Opal Green
②	RJ45 Connector	1	8P8C Cat5E
③	Connector	1	M12 8P Male A Coded
④	Inner Mold	1	PE(J5019)
⑤	Outer Mold	1	PVC-Opal Green(Similar to RAL 6026)
⑥	Copper Foil	1	6mmx18μm

Unless otherwise specific dimensions are in milli-meters. Tolerances on the right.			Dim Tolerances x, ±5 .x±0.3	Angle Tolerances x°, ±1° .x°±
Drawn Y.ZENG	Date 14DEC2020	Material See Table	Unit MM	Title M12 A-Coded 8 Pole Male to RJ45 Ethernet Trigger Power High Flex Cable
Checked C.GAO	Date 14DEC2020	Finish See Table	Scale /	Model NO. OLA-T-CCB-84901-1003-XM
Approved C.GAO	Date 14DEC2020	It must not be copied or otherwise disclosed without prior written consent. This document is the property of OKLAB.		



# Cable Specification

## Drawing



NO.	Insulator Colour 1	Insulator Colour 2
1	Blue	Blue / White
2	Orange	Orange / White
3	Green	Green / White
4	Brown	Brown / White

\* Blue / White: White line is injected on the blue insulator and occupies 20-25% of the dimension. The same for others.  
The transmission performance of this wire meets the standard of CAT5E within 40m.

Model NO.	OLA-T-CCB-84901-1003-XM CABLE	Established Date	15NOV2018
Style	4PX26AWG RoHS LF Opal Green		
Size	4PX26AWG		
Approbation	UL20276 AWM 80°C 30V	Flame Retardant Grade: VW-1	
Conductor	Size	26AWG/4P	
	Cond. Material	Bare Copper BC	
	Construction	30/0.08 BC	
	Diameter	0.51mm	
	Tolern	±0.003mm	
Insulation	Material	HDPE	
	Avg.Thick.	0.207mm	
	Min.Thick.	0.184mm	
	Diameter	0.97±0.05mm	
	Colour	(Bule*Bule/White) (Orange*Orange/White) (Green*Green/White) (Brown*Brown/White)	
Pair Twist	Pair Twist	1P*26AWG	
	Diameter	1.94	
Assembly Standed	26AWG/4P		
Shielded	Al/Pet	0.05*20mm	
	Braid	0.1TC	
	Covered	99% Min	
Jacketed	Material	PVC	
	Avg.Thick.	0.765mm	
	Min.Thick.	0.723mm	
	Diameter	ø6.5±0.2mm	
Electrical Properties	Colour	Opal Green(Similar to RAL 6026)	
	Conductor Resistance	≤124 Ω/km 20°C	
	Test Voltage	500V/1min	
	Insulating Resistance	> 10 MΩ/km 20°C	
Wokring Temperature	Characteristic Impedance	100±15Ω	
	Fixed Installation	-20°C ~ 80°C	
Minimal Bending Radius	Moved Installation	-5°C ~ 50°C	
	Fixed Installation	5 X Cable-ø	
Printing	Moved Installation	8.5 X Cable-ø	
	4PX26AWG 80°C 30V VW-1 LF		