

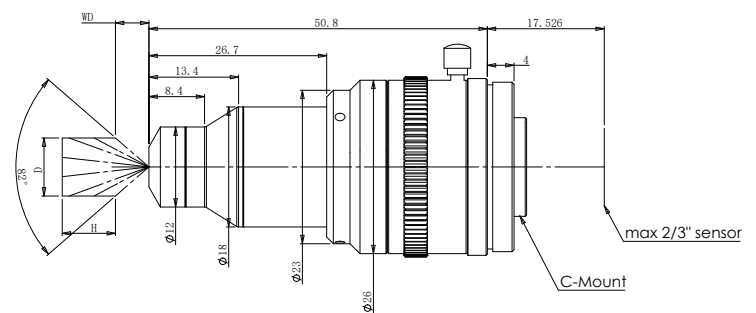
PRHI230-82

Hole Inspection Lenses For 360° Inside View

- 360° Imaging of Various Hole Objects;
- Compact to be Easily Held and Integrated into Any System;
- Customizable Aperture for Excellent Sharpness over Depth of Field.



Optical Specifications	
Wavelength range (nm)	Visible
Working Distance (mm)	5...65
Max Sensor Size (Φmm)	6.6
Inspect object diameter (mm)	5~120
Mount	C



Object diameter	Object inspection height	Working distance
5mm	4mm	5mm
10mm	6mm	7mm
20mm	20mm	13mm
30mm	30mm	17mm
40mm	40mm	24mm
50mm	50mm	27mm
60mm	60mm	33mm
80mm	80mm	44mm
100mm	100mm	55mm
120mm	120mm	65mm

- Hole inspection lenses for 360° inside view can be widely used in food, medicine, automotive and other industries, perfect for medicine bottles, bottle caps, nuts and mechanical parts.

Application

