

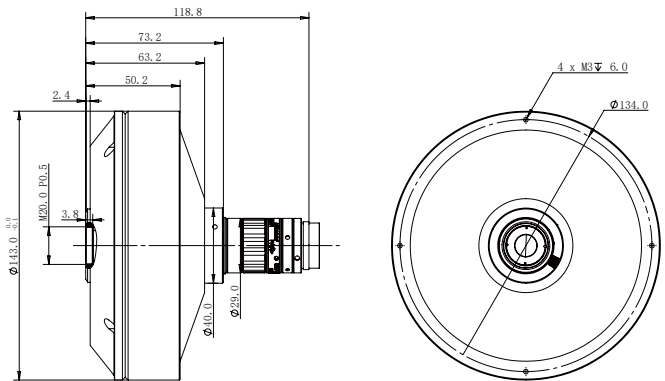
# PRO230-C270-230-S16

## Catadioptric lenses



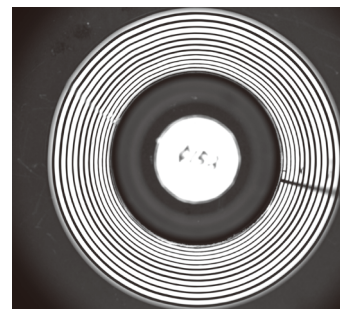
- Side testing for 5-30mm diameter small parts;
- Catadioptric lenses for 360° top and lateral view with just one camera;
- Small size, suitable for tight spaces.

Optical Specifications	
Wavelength range (nm)	450~650
Working Distance (mm)	41...10
Compatible with FA lens	16mm
Best Aperture (F/#)	6.5
Max Sensor Size (Φmm)	7.07(2/3")
Inspect object diameter (mm)	5~30
Mount	C



Object diameter	Object inspection height	Working distance	Outer wall+Top Inspection at the same time
5mm	3mm	41mm	Only Outer Inspection
7mm	5mm	39mm	Outer wall +Top Inspection
10mm	6mm	36mm	Outer wall +Top Inspection
15mm	11mm	30mm	Outer wall +Top Inspection
20mm	13mm	24mm	Outer wall +Top Inspection
25mm	18mm	15mm	Outer wall +Top Inspection
30mm	18mm	10mm	Only Outer Inspection

- It can be widely used in defect detection of bottle caps, medicine bottles, O-rings, screw tooth products, etc.



Only outer wall inspection



Outer wall +Top inspection