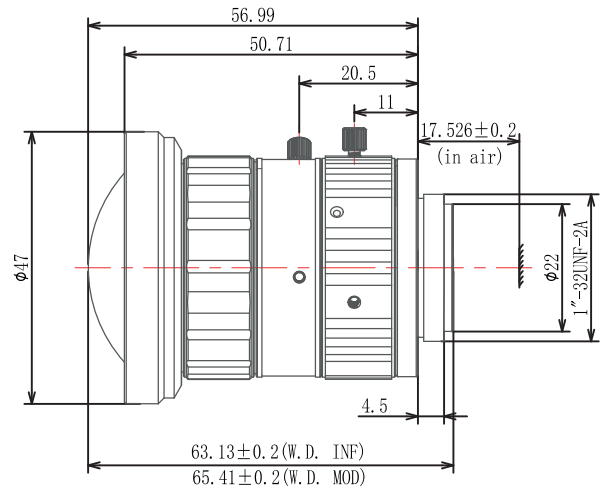


MFA110-H12

12mm Focal Length

- Macro Designed For Machine Vision Application
- High Resolution, High Contrast, and Low Distortion
- Work with 1/3"-1.1" Format Camera and Focal Length is From 12mm to 50mm
- Perfect Substitute For FA Lens From Japan Like Tamron, CBC, VST, Ricoh ect



1" C-Mount				
Focal Length		f=12mm		
Max Diameter(RATIO)		F=2.8~16		
Picture Size		1.1"	1"	2/3"
Angle	H	59.8°	53.5°	37.8°
	V	46.2°	43.3°	32.1°
	D	70.5°	65.7°	48.3°
Distortion(TV)		<0.1%		
Focus distance(min)		0.1m		
Filter screw size		-		
Front/Rear Effective Dia		Front Φ38.6mm Rear Φ22.2mm		
Mount		C-Mount		
Temperature Range		-10~+50°C		
Storage Temperature Range		-20~+60°C		