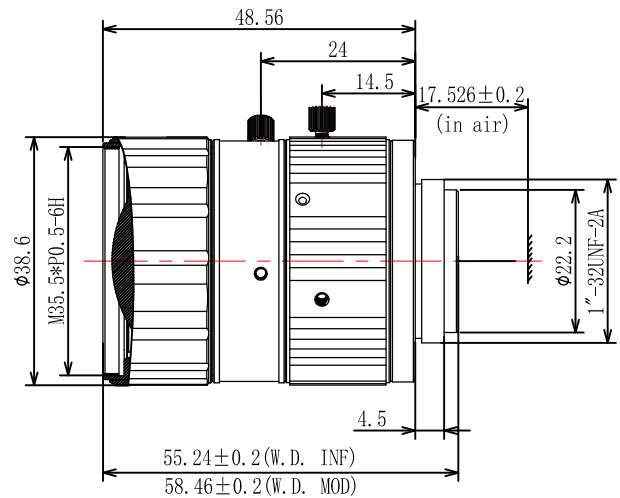


MFA110-H16

16mm Focal Length

- Macro Designed For Machine Vision Application
- High Resolution, High Contrast, and Low Distortion
- Work with 1/3"-1.1" Format Camera and Focal Length is From 12mm to 50mm
- Perfect Substitute For FA Lens From Japan Like Tamron, CBC, VST, Ricoh ect



1" C-Mount				
Focal Length		f=16mm		
Max Diameter(RATIO)		F=2.8~16		
Picture Size		1.1"	1"	2/3"
Angle	H	47.6°	42.5°	30.2°
	V	36.5°	34.1°	25.1°
	D	57.8°	52.8°	38.2°
Distortion(TV)		<0.5%		
Focus distance(min)		0.1m		
Filter screw size		M35.5x0.5		
Front/Rear Effective Dia		Front Φ47mm Rear Φ22mm		
Mount		C-Mount		
Temperature Range		-10~+50°C		
Storage Temperature Range		-20~+60°C		