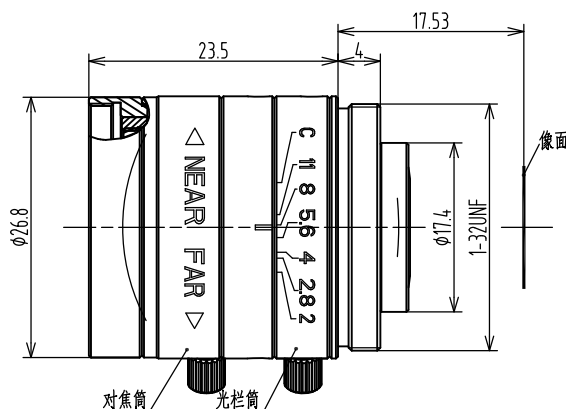


MFA118-S06

6mm Focal Length

- Macro Designed For Machine Vision Application
- High Resolution, High Contrast, and Low Distortion
- Work with 1/3"-1/1.8" Format Camera and Focal Length is From 4mm to 100mm
- Perfect Substitute For FA Lens From Japan Like Tamron, CBC, VST, Ricoh ect



1/1.8" C-Mount				
Focal Length		f=6mm		
Max Diameter(RATIO)		F=1~2.0		
Picture Size		1/1.8"	1/2"	1/3"
Angle	H	59.6°	48.7°	41.9°
	V	46.0°	36.5°	31.4°
	D	69.8°	60.9°	52.4°
Distortion(TV)		<0.1%		
Focus distance(min)		0.1m		
Max sensor size		Φ9.4mm		
Filter screw size		M25.5*P0.5		
Mount		C-Mount		