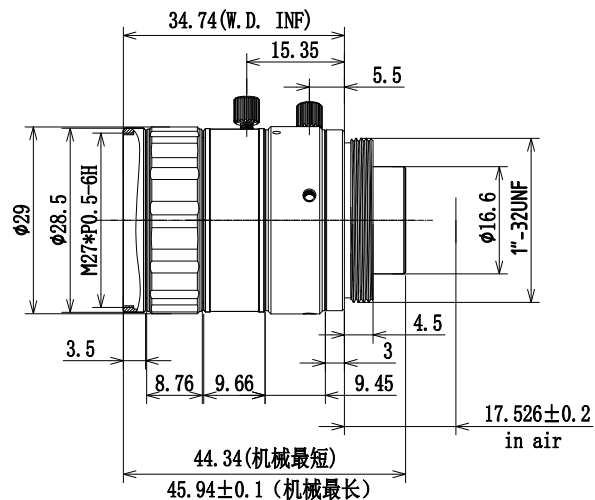


# MFA118-S08

## 8mm Focal Length

- Macro Designed For Machine Vision Application
- High Resolution, High Contrast, and Low Distortion
- Work with 1/3"-1/1.8" Format Camera and Focal Length is From 4mm to 100mm
- Perfect Substitute For FA Lens From Japan Like Tamron, CBC, VST, Ricoh ect



1/1.8" C-Mount				
Focal Length		f=8mm		
Max Diameter(RATIO)		F=2.8~16		
Picture Size		1/1.8"	1/2"	1/3"
Angle	H	49.3°	43.5°	33.2°
	V	34.0°	33.2°	25.2°
	D	58.5°	53.4°	41.3°
Distortion(TV)		<0.12%		
Focus distance(min)		0.11m		
Max sensor size		Φ9.4mm		
Filter screw size		M27*P0.5		
Mount		C-Mount		