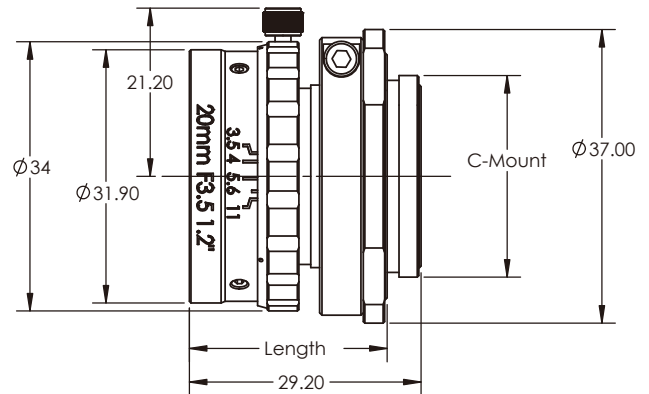


# MFA121-U20

## 20mm Focal Length

- Macro Designed For Machine Vision Application
- High Resolution, High Contrast, and Low Distortion
- Work with 1.2" Format Camera
- Perfect Substitute For FA Lens From Japan Like Tamron, CBC, VST, Ricoh ect



1.2" F3.5/11 C-Mount				
Focal Length		f=20mm		
Max Diameter(RATIO)		F=3.5~11		
Picture Size		1"	1.1"	1.2"
Angle	H	37.8°	42.3°	43.7°
	V	30.2°	32.4°	38.3°
	D	47.1°	51.6°	55.8°
Distortion(TV)		<0.5%		
Focus distance(min)		0.2M		
Flange back		17.526mm in air		
Back focus		19.6mm in air		
Filter screw size		M30.5x0.5		
Dimension		Φ19.3mm		
Mount		C-Mount		
Temperature Range		-10~+50°C		
Storage Temperature Range		-20~+60°C		