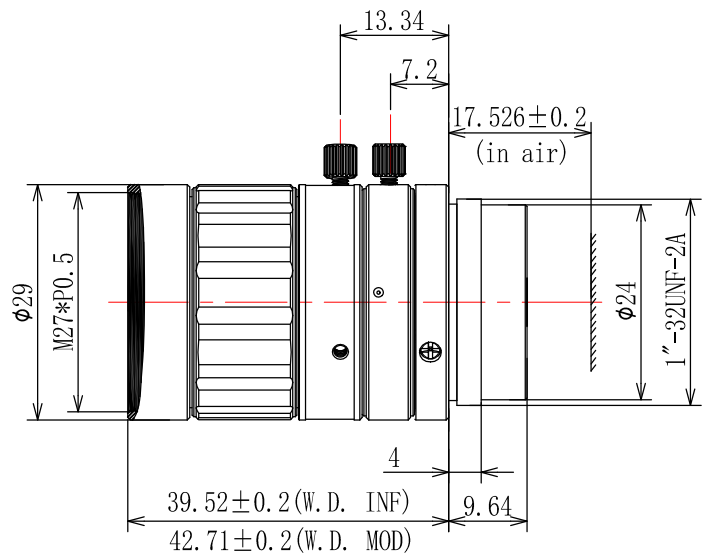


MFA230-S16

16mm Focal Length

- Macro Designed For Machine Vision Application
- High Resolution, High Contrast, and Low Distortion
- Work with 1/3"-2/3" Format Camera and Focal Length is From 4mm to 100mm
- Perfect Substitute For FA Lens From Japan Like Tamron, CBC, VST, Ricoh ect



2/3" C-Mount				
Focal Length		f=16mm		
Max Diameter(RATIO)		F=2.0~16		
Picture Size		2/3"	1/1.8"	1/2"
Angle	H	29.3°	26.8°	22.4°
	V	24.7°	17.3°	16.8°
	D	37.4°	30.8°	27.6°
Distortion(TV)		<0.2%		
Focus distance(min)		0.1m		
Max sensor size		Φ11.4mm		
Filter screw size		M27*P0.5		
Mount		C-Mount		