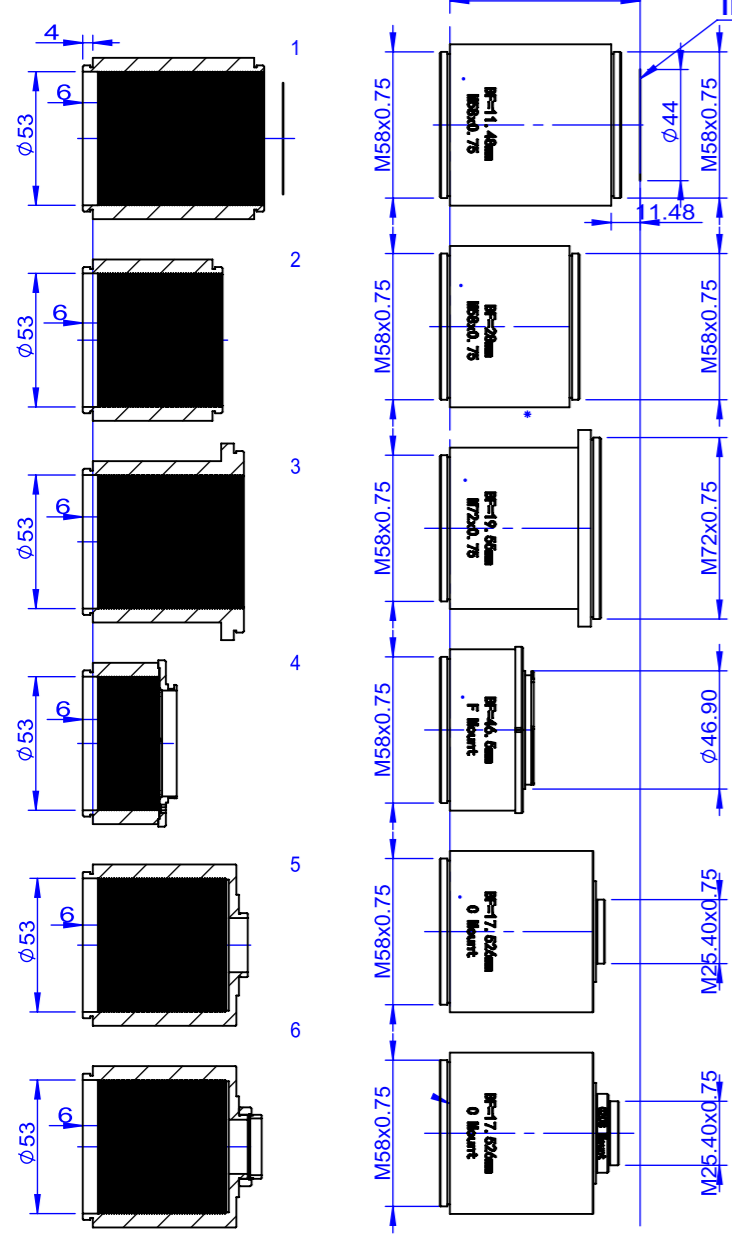


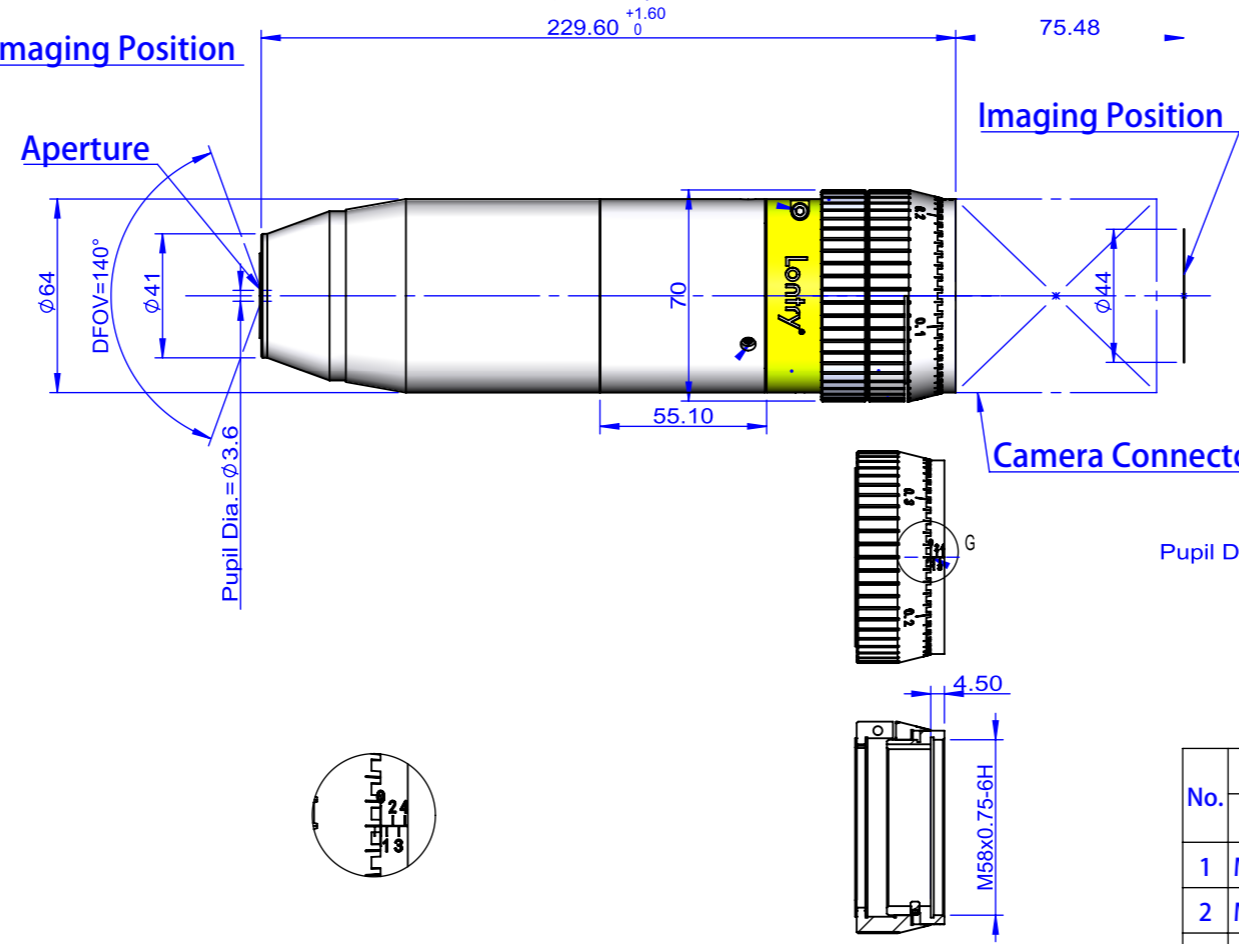
REVISION				
AREA	REV.	DESCRIPTION	DATE	NAME

VA140-44 SPECIFICATION

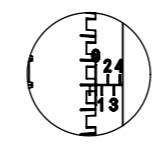
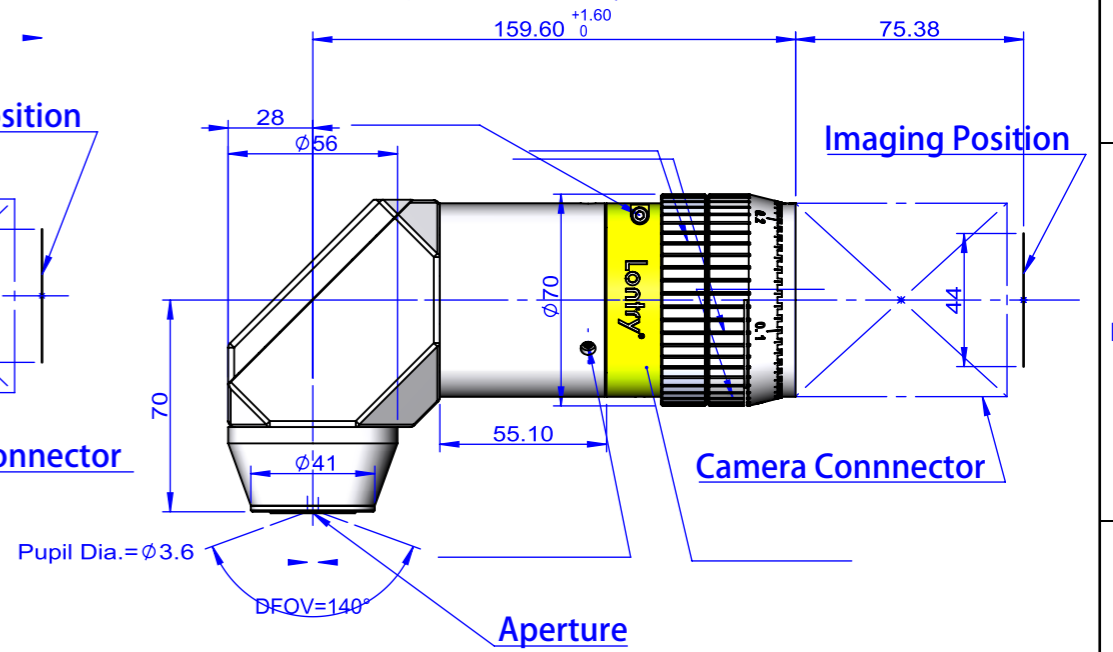
Camera Connectors/Scale 1:3



Straight Type



Right-Bend Type



Structure Type	Straight	Right-Bend
Model	VA140-44-LN	VA140-44-90
Sensor Size(mm)	36x24	
Sensor Back Focus(mm)	11.48	
Lens Interface	M58x0.75	
Focal Length(mm)	18	
Image Diagonal Size(mm)	44	
MAX FOV(°)	140	
Distortion(%)	55	
Aperture Dia.(mm)	3.6	
WDV(mm)	250~INF	
Wavelength(nm)	420~680	
Weight(kg)	2.0	2.1

No.	Camera Interface		Camera Sensor		DFOV(°)	Camera Connector	
	Spec.	Optical Dist(mm)	Spec.	Diagonal Size(mm)			
1	M58x0.75	11.48	35MM	43.5	138	LT0137-5P-M-01	
2	M58x0.75	28	KAI50140	51.7	140	LT0137-5P-M-02	
3	M72x0.75	19.55	KAI47051	44	140	LT0137-5P-M-03	
			16K	57.3	140		
			IMX461/1E	54.3	140		
4	F-Mount	46.5	35MM	43.5	138	LT0137-5P-M-04	F Mount-1
			71M	38	121		
			1.75"	28.1	89		
5	C-Mount	17.256	1"	15.9	50	LT0137-5P-M-05	
			1.1"	17.5	56		
			1.2"	19.3	61		
			1.3"	20.4	65		
6	CS-Mount	12.5	4/3"	22.66	72	LT0137-5P-M-05 LT-C2CS-mount	
			1"	15.9	50		
			1.1"	17.5	56		
			1.2"	19.3	61		

Lontry		DESIGN	Derek	2023.2.6	MACHINE MODEL:	--	
INFORMATION HEREIN SHALL NOT BE REPRODUCED IN ANY FORM WITHOUT COLIBRI WRITTEN PERMISSION		CHECKED			TITLE: SPECIFICATION		
TOLERANCE CLASS NOT SPECIFIED		APPROVED			QTY: - TREATMENT: -		
Dimensional tol./Masstol. ISO 2768-1:1989		MATERIAL: 部件		SIZE	A3	UNIT	mm
Geometrical tol./Form-u. Lagetol. ISO 2768-2:1989		SCALE	1:2.5	WT(kg)		DWG/N	LT0137-0138-VA140-44
				REV.		SHEET 1/1	