

WWH100-108CTLV3*

Megapixel Telecentric Lens

- Compact design with coaxial illumination options;
- Perfect image and supports all kinds of Mega camera;
- High contrast, low distortion, high resolution;
- Optional adjustable Iris for resolution and DOF control;
- Megapixel 'object side' telecentric lens with optional long working distance versions with over 500mm working distance.



Optical Specifications	
Magnification (x)	10
Working Distance (mm)	108
Max Sensor Size (Φmm)	11(2/3")
Aperture (F/#)	48
Telecentricity typical (max) (deg)	<0.16
Distortion typical (max) (%)	<0.1
NA	0.1
Resolution (μm)	3.4
Depth of Field (mm)	0.04

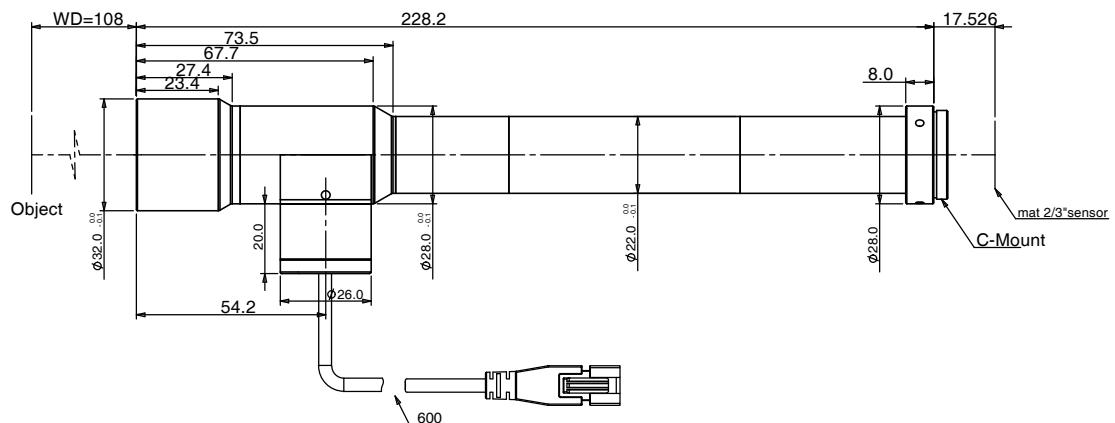
Field of View (mm × mm)	
1/2"(6.4x4.8)	0.6×0.5
1/1.8"(7.13x5.37)	0.7×0.5
2/3"(8.8x6.6)	0.9×0.7

Mechanical Specifications	
Mount	C
Length (mm)	228.2
Coaxial Light	Yes
Iris	No

Input	Lighting Color	Power
24V DC/0.12A	W / R / G / B	2.88W

Notes:

1. Depth of Field is calculated value, this value could be used for imaging test, but to get sharp image in application, half of calculated value is suggested.



Note: * New product.