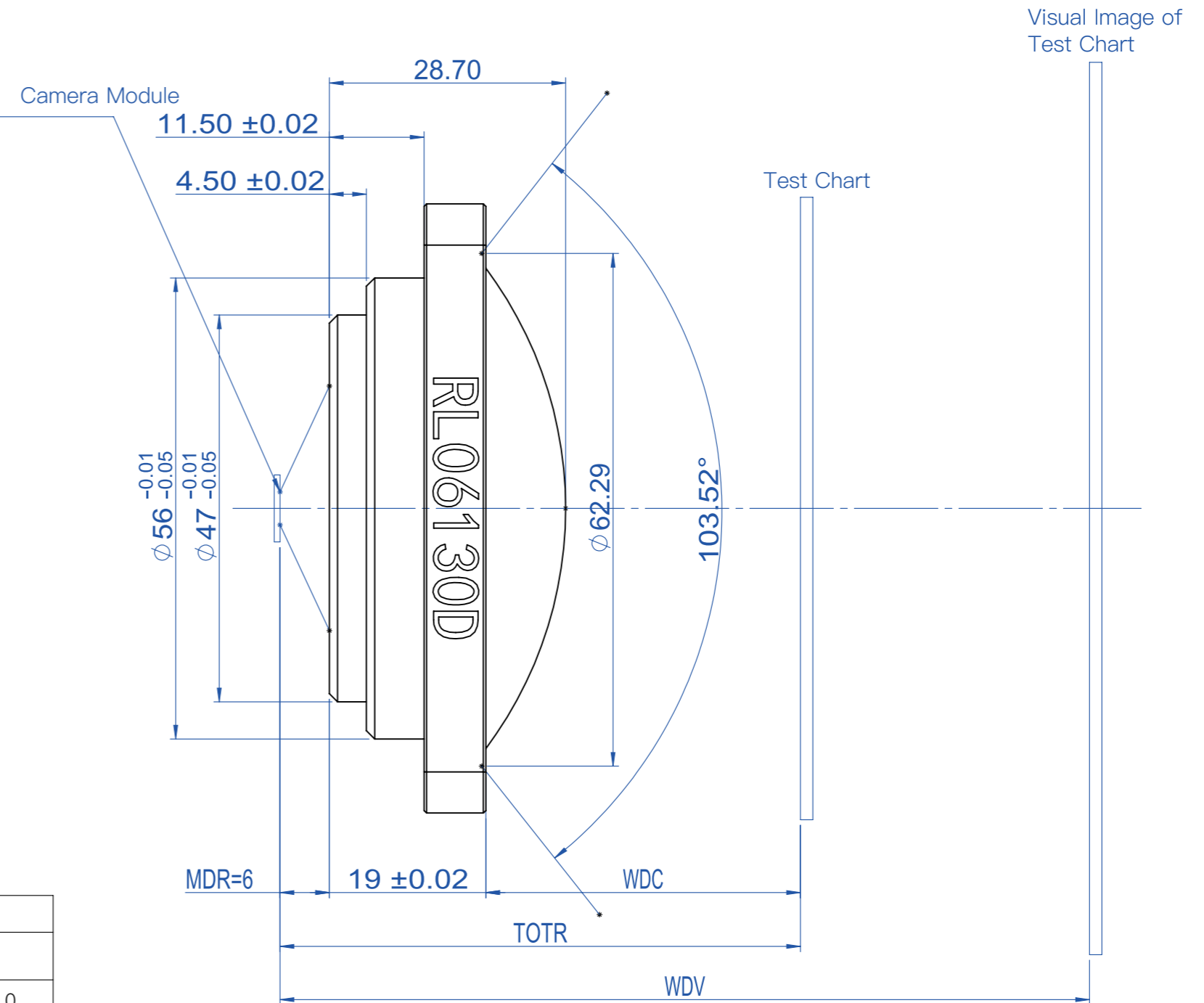
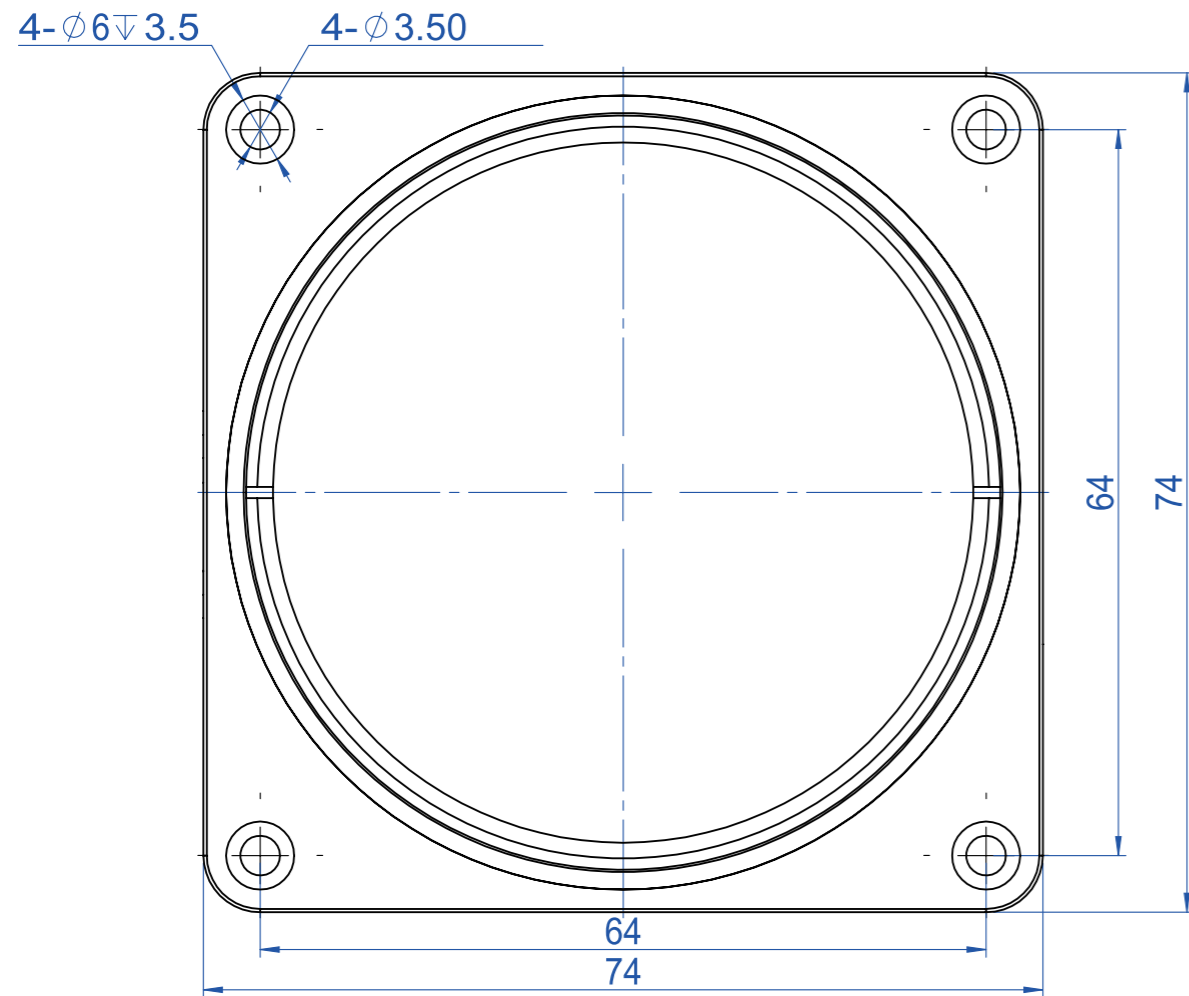


# RL06130D SPECIFICATION

Notes:

1. All dimensions of chart is determined by the maximum field of view of the relay lens;
2. WDV: Distance from the camera module to the simulated imaging position;
3. WDC: Distance from the relay lens object end to the test card;
4. MDR: The installation distance from the camera module to the relay lens camera end;
5. The length and width of chart is calculated according to the specifications(4:3/16:9) of camera module chip under test.



WDV	WDC	TOTR	Chart Size@Max FOV				
			Diagonal	4:3(WxH)		16:9(WxH)	
500	211.44	236.4361	603.7	483.0	362.2	526.2	296.0
800	244.28	269.2786	688.2	550.6	412.9	599.8	337.4
1000	257.38	282.3843	721.9	577.5	433.2	629.2	353.9
2000	287.90	312.8953	800.4	640.4	480.3	697.7	392.4
3000	299.60	324.6046	830.6	664.5	498.3	723.9	407.2
5000	309.63	334.6298	856.4	685.1	513.8	746.4	419.9
8000	315.55	340.5488	871.6	697.3	523.0	759.7	427.3
10000	317.57	342.5692	876.8	701.4	526.1	764.2	429.9
50000	324.20	349.2	893.9	715.1	536.3	779.1	438.2
100000	325.05	350.0472	896.1	716.8	537.6	781.0	439.3

Focal Length	300
Distortion	<30%
MAX FOV	130°
Weight	0.23 (A)
Exit Pupil Aperture	4
MDR	6
Wavelength	420-900 nm

DESIGN	Derek	2020.6.22	MACHINE MODEL:	RL06130D	
CHECKED			TITLE:	RL06130D SPECIFICATION	
APPROVED			MATERIAL:	Product	QTY
TOLERANCE CLASS NOT SPECIFIED			QTY	-	TREATMENT
Dimensional tol./Masstol. ISO 2768-1:1999	tol.-class/Tol.-k	SCALE	A3	UNIT	mm
Geometrical tol./Form-u. Lagetol. ISO 2768-2:1999	tol.-class/Tol.-k	SCALE	1:2	WT(kg)	0.23
DWG/N			REV.		A
SHEET			1/1		